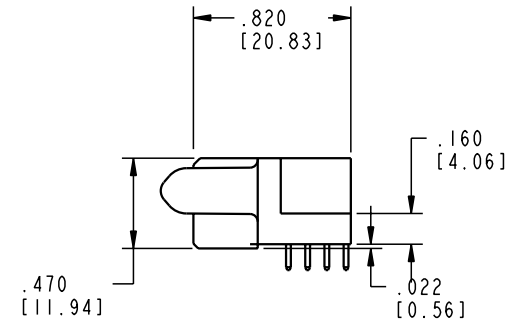
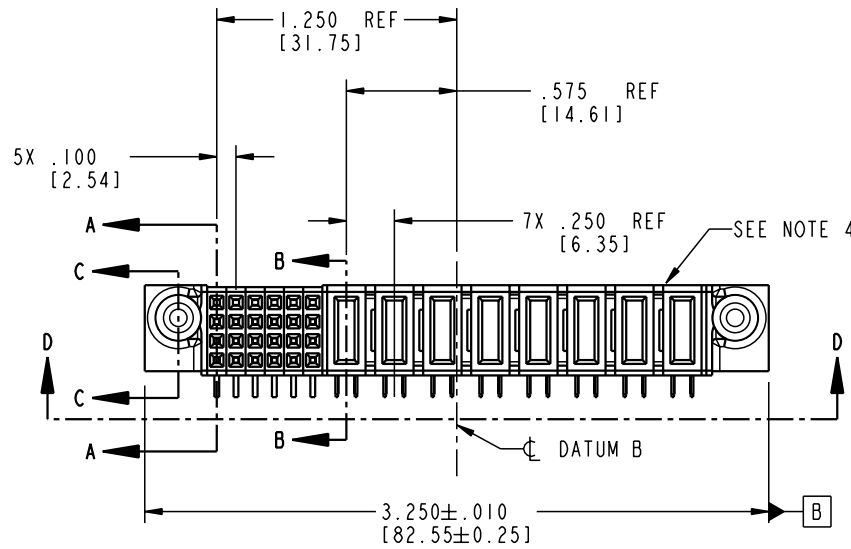


Tous droits strictement réservés. Reproduction ou communication o des liers interdite sous quelque forme que ce soit sans autorisation écrite du propriétaire. Propriete de c FCI. Droits de reproduction FCI.

All rights strictly reserved. Reproduction or issue to third parties in any form whenever is not permitted without written authority from the proprietor. Property of FCI. Copyright FCI.



PRODUCT NO.	ROWS	SIGNAL								POWER								E1
		E2	6	5	4	3	2	1		P8	P7	P6	P5	P4	P3	P2	P1	
51762-10802400AB	D C B A		H	H	H	H	H	H	H	PA	PA	PA	PA	PA	PA	PA	PA	



CODE	DIM "M" MATING LENGTH	CONTACT TYPE
E	N/A [N/A]	SIGNAL
F	N/A [N/A]	SIGNAL
G	N/A [N/A]	SIGNAL
H	N/A [N/A]	SIGNAL
PA	.042 [1.07]	POWER

mat'l code SEE NOTE 2				tolerances unless otherwise specified		CUSTOMER		ELECTRONICS www.fciconnect.com	
ltr	ecn no.	dr	date	linear	.XX±.01/0.XX±0.3	COPY		title	
A	V12539	JWS	11/27/01		.XXX±.005/0.XX±0.13	projection		8P + 24S	
				angles	.XXX±.0020/0.XX±0.051			R/A SOLDER RECEPTACLE	
				dr	0° ± 2°	INCH/MM		product family	
				engr	J. SHAFFER 11/27/01	scale		PwrBlade	
				chr	M. MOSTOLLER 11/27/01	1:1		code	
				appd	M. MOSTOLLER 11/27/01			213	
sheet index	revision sheet	A	A	A	A			sheet	
		1	2	3	4			1 of 4	

1 | 2

Pro/E

3 |

cage code 22526

4

PDM: Rev:A

STATUS: Released

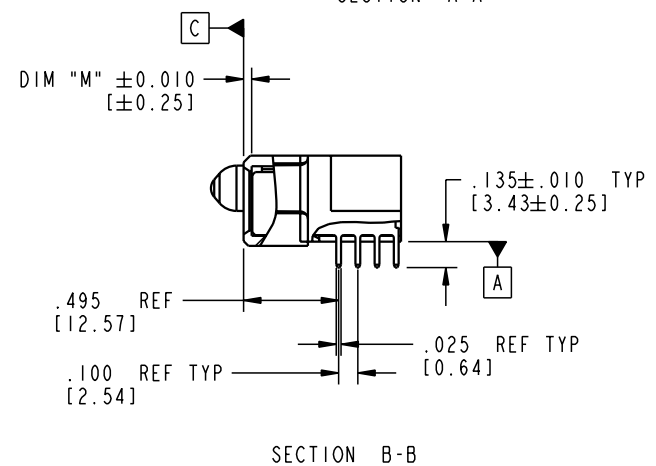
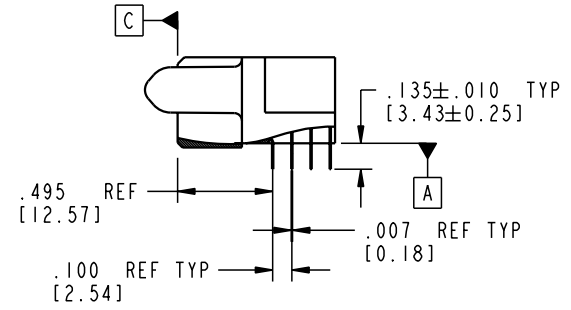
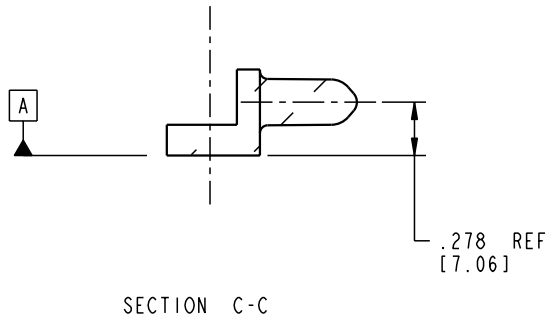
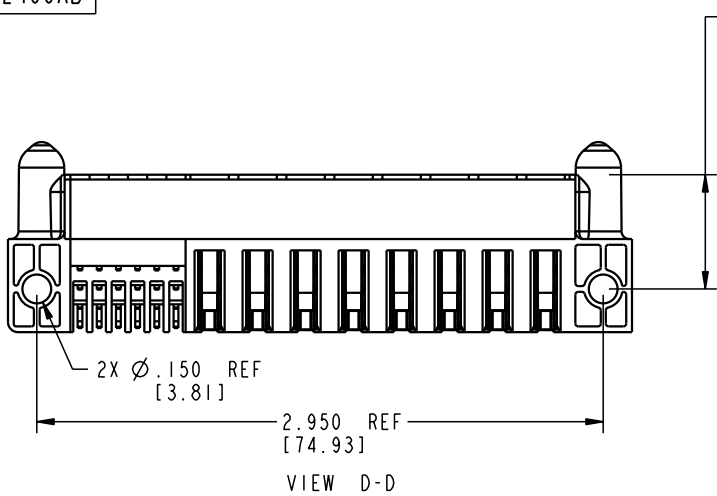
Printed: Aug 14, 2007

Tous droits strictement réservés. Reproduction ou communication a des tiers interdite sous quelque forme que ce soit sans autorisation écrite du propriétaire. Propriété de c FCI. Droits de reproduction FCI.



All rights strictly reserved. Reproduction or issue to third parties in any form whatever is not permitted without written authority from the proprietor. Property of FCI. Copyright FCI.

PRODUCT NUMBER
51762-10802400AB



mat'l code SEE NOTE 2				tolerances unless otherwise specified		CUSTOMER		FCI ELECTRONICS www.fciconnect.com	
ltr	ecn no.	dr	date	linear	.XX±.01/0.X±0.3	COPY		title 8P + 24S R/A SOLDER RECEPTACLE	
A					.XXX±.005/0.XX±0.13	projection 	product family PwrBlade code 213		
					.XXX±.0020/0.XXX±0.051		INCH/MM scale 1:1		size dwg no A 51762-10802400AB sheet 2 of 4
				angles	0° ± 2°				
				dr	J. SHAFFER 11/27/01				
				enr	M. MOSTOLLER 11/27/01				
				chr	M. MOSTOLLER 11/27/01				
				appd	M. MOSTOLLER 11/27/01				
sheet index	revision sheet								

Pro/E

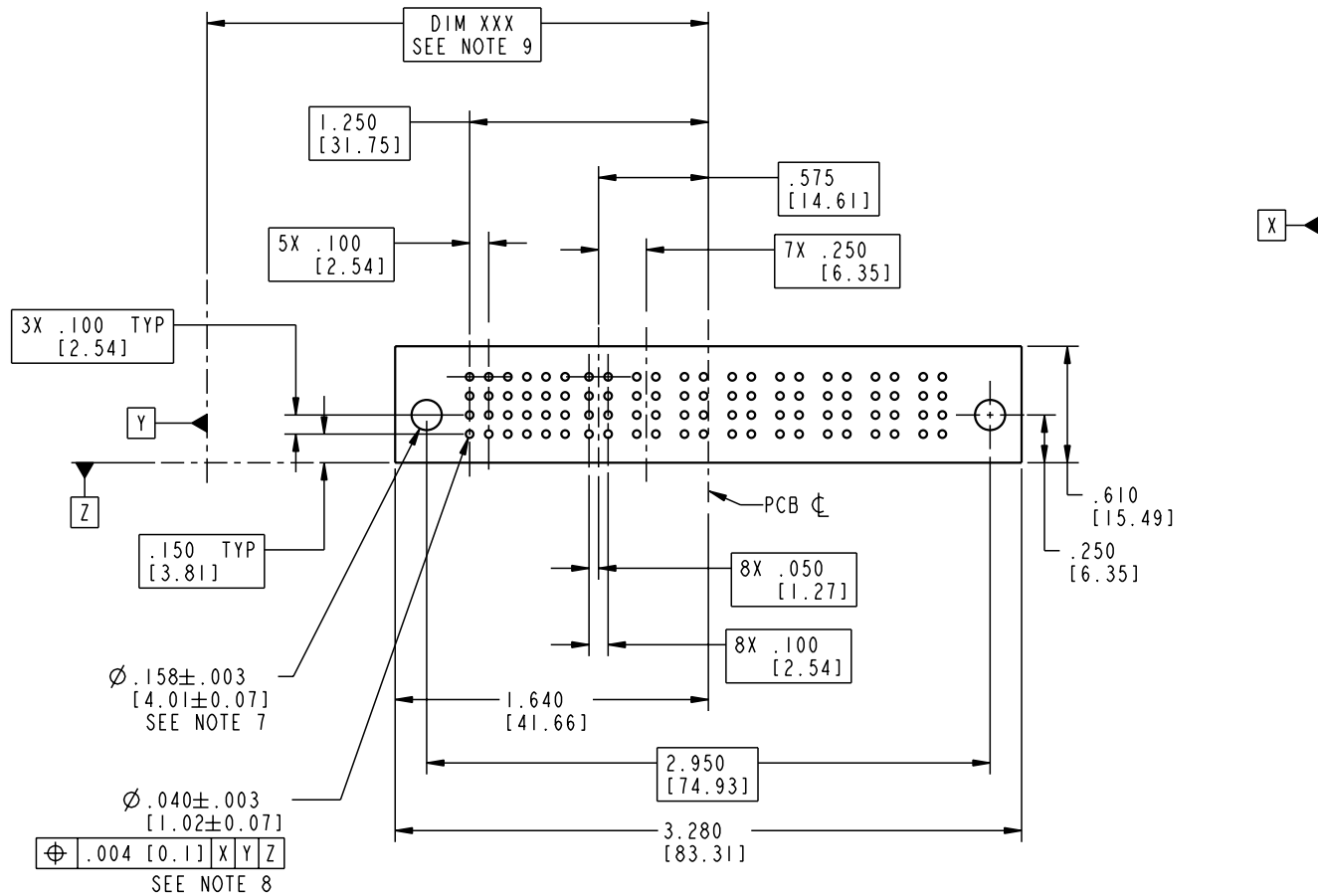
cage code 22526

Tous droits strictement réservés. Reproduction ou communication o des tiers interdite sous quelque forme que ce soit sans autorisation écrite du propriétaire. Propriété de c F.C.I. Droits de reproduction F.C.I.

All rights strictly reserved. Reproduction or issue to third parties in any form whatever is not permitted without written authority from the proprietor. Property of F.C.I. Copyright F.C.I.



PRODUCT NUMBER
51762-10802400AB



mat'l code SEE NOTE 2				tolerances unless otherwise specified		CUSTOMER		ELECTRONICS www.fciconnect.com	
ltr	ecn no.	dr	date	linear	.XX±.01/0.X±0.3	COPY		title	
A				projection	.XXX±.005/0.XX±0.13	INCH/MM		8P + 24S	
				angles	.XXX±.0020/0.XX±0.051	scale		R/A SOLDER RECEPTACLE	
				dr	J. SHAFFER 11/27/01	1:1		product family PwrBlade code	
				enr	M. MOSTOLLER 11/27/01			213	
				chr	M. MOSTOLLER 11/27/01			size dwg no	
				appd	M. MOSTOLLER 11/27/01			A 51762-10802400AB	
sheet index	revision sheet							sheet 3 of 4	

Pro/E

cage code 22526

PDM: Rev:A

STATUS: Released

Printed: Aug 14, 2007

Tous droits strictement réservés. Reproduction ou communication o des tiers interdite sous quelque forme que ce soit sans autorisation écrite du propriétaire. Propriete de c FCI. Droits de reproduction FCI.



All rights strictly reserved. Reproduction or issue to third parties in any form, whenever is not permitted without written authority from the proprietor. Property of FCI. Copyright FCI.

1 | 2

3 |

4

PRODUCT NUMBER
51762-10802400AB

NOTES:

1. DIMENSIONS AND TOLERANCES ARE IN ACCORDANCE WITH ASME Y14.5M, 1994 UNLESS OTHERWISE SPECIFIED.

CONNECTORS NOTES:

② HOUSING MATERIAL: UL 94 V-0 GLASS FILLED HIGH TEMP THERMO PLASTIC
POWER CONTACT MATERIAL: COPPER ALLOY
SIGNAL PIN MATERIAL: COPPER ALLOY

3. PLATING:

SIGNAL PINS: 30u"/0.76um Au OVER 50u"/1.27um Ni
POWER CONTACTS: 50u"/1.27um Ni UNDER ALL WITH 30u"/0.76um Au ON CONTACT AREA AND SnPb ON PCB INTERFACE

④ "MANUFACTURER" NAME, P/N, AND DATE CODE TO APPEAR ON THIS SURFACE.

5. PRODUCT SPECIFICATION GS-12-149.

PCB - NOTES:

6. ALL HOLE DIAMETERS ARE FINISHED HOLE SIZE.

⑦ HOLD DOWN THROUGH HOLES ARE UNPLATED.

⑧ $\varnothing .0453 \pm 0.0010$ [1.151 \pm 0.025] DRILLED HOLES PLATED WITH 0.0003 [0.008] MIN SnPb OVER .001 [0.03] TO .003 [0.08] Cu PLATING TO ACHIEVE $\varnothing .040 \pm .003$ [1.02 \pm .07] HOLE.

⑨ "DIM XXX" TO BE DETERMINED BY THE CUSTOMER.

mat'l code		SEE NOTE 2		tolerances unless otherwise specified		CUSTOMER		ELECTRONICS www.fciconnect.com	
ltr	ecm no.	dr	date	linear	.XX±.01/0.X±0.3		COPY		title 8P + 24S R/A SOLDER RECEPTACLE
A					.XXX±.005/0.XX±0.13		projection		
				angles	.XXX±.0020/0.XXX±0.051				code 213
				dr	J. SHAFFER	11/27/01	INCH/MM		sheet 4 of 4
				enr	M. MOSTOLLER	11/27/01	scale		A 51762-10802400AB
				chr	M. MOSTOLLER	11/27/01	1:1		
				appd	M. MOSTOLLER	11/27/01			
sheet index	revision sheet								

1 | 2

Pro/E

3 |

cage code 22526

4